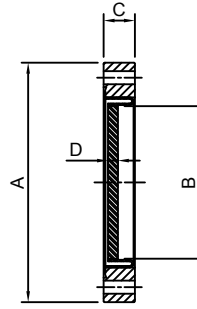


**CF ZERO LENGTH VIEWPORTS**

- \* MATERIAL: KODIAL
- \* BAKEABLE UP TO 200°C AT NOT GREATER THAN 2-3 °C PER MINUTE
- \* TO BE USED WITH ANNEALED COPPER GASKETS
- \* VACUUM RATING 1x10<sup>-11</sup>mbar

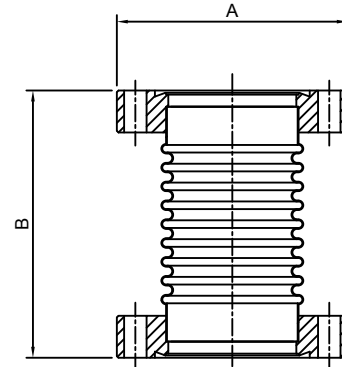
ORDER CODE	NW	A	B	C	D
VPZ16	16	34	16	12.7	1.0
VPZ38	35	70	38	12.7	2.5
VPZ38LA	35	70	40	12.7	3.0
VPZ64	63	114	63	17.4	3.0
VPZ100	100	152	89	19.9	4.0
VPZ150	150	203	136	22.3	6.5



**CF FLEXIBLE HOSES, FIXED**

- \* MATERIAL: STAINLESS STEEL
- \* BAKEABLE UP TO 450°C
- \* VACUUM RATING 1x10<sup>-11</sup>mbar
- \* WIDE RANGE OF ELBOWS, TEES & CROSSES ARE AVAILABLE

ORDER CODE	NW	A	B
FX16CF250	16	34	250
FX16CF500	16	34	500
FX16CF750	16	34	750
FX16CF1000	16	34	1000
FX35CF250	35	70	250
FX35CF500	35	70	500
FX35CF750	35	70	750
FX35CF1000	35	70	1000
FX63CF250	63	114	250
FX63CF500	63	114	500
FX63CF750	63	114	750
FX63CF1000	63	114	1000
FX100CF250	100	152	250
FX100CF500	100	152	500
FX100CF750	100	152	750
FX100CF1000	100	152	1000



**CF FLEXIBLE HOSES, 1 FLANGE ROTATABLE**

- \* MATERIAL: STAINLESS STEEL
- \* BAKEABLE UP TO 450°C
- \* VACUUM RATING 1x10<sup>-11</sup>mbar
- \* WIDE RANGE OF ELBOWS, TEES & CROSSES ARE AVAILABLE

ORDER CODE	NW	A	B
FX16CF250R	16	34	250
FX16CF500R	16	34	500
FX16CF750R	16	34	750
FX16CF1000R	16	34	1000
FX35CF250R	35	70	250
FX35CF500R	35	70	500
FX35CF750R	35	70	750
FX35CF1000R	35	70	1000
FX63CF250R	63	114	250
FX63CF500R	63	114	500
FX63CF750R	63	114	750
FX63CF1000R	63	114	1000
FX100CF250R	100	152	250
FX100CF500R	100	152	500
FX100CF750R	100	152	750
FX100CF1000R	100	152	1000

