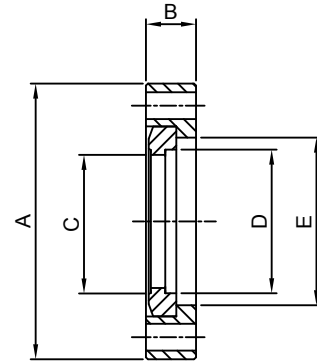


### CF BORED FLANGES - ROTATABLE

- \* MATERIAL: STAINLESS STEEL, 304L
- \* BAKEABLE UP TO 450°C
- \* VACUUM RATING 1x10<sup>-11</sup>mbar
- \* WIDE RANGE OF ELBOWS, CROSSES & TEES ARE AVAILABLE
- \*TUBULATED FLANGES ARE AVAILABLE FOR WELDING TO STAINLESS STEEL TUBE

ORDER CODE	MAT'L	NW	A	B	C	D	E
F16R7	304L	16	34	7.6	6.4	6.4	19.3
F16R12	304L	16	34	7.6	12.7	12.7	19.3
F16R14	304L	16	34	7.6	13.2	14.3	19.3
F16R19	304L	16	34	7.6	16.6	19.1	19.3
F35R14	304L	35	70	12.7	13.2	14.4	41.4
F35R25	304L	35	70	12.7	24.2	25.5	41.4
F35R38	304L	35	70	12.7	36.9	38.2	41.4
F35R41	304L	35	70	12.7	40.1	41.3	45.0
F63R51	304L	63	114	17.4	49.6	51.1	68.0
F63R63	304L	63	114	17.4	61.2	63.6	68.0
F100RB	304L	100	152	19.9	99.4	101.9	104.9
F150RB	304L	150	203	22.3	149.7	152.6	155.7
F200RB	304L	200	254	24.6	200.4	203.5	206.4
F250RB	304L	250	304	27.3	250.7	254.4	254.8
F250RB-SPE*	304L	250	304	27.3	250.7	256.3	257.5

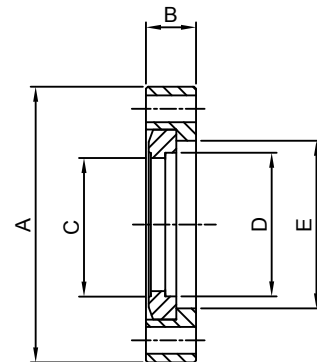


For flanges with tapped bolt holes please add suffix T to order codes (eg F16R7T)  
 \* European standard, to be used with copper gaskets OD 272.7 mm

### CF BORED FLANGES - ROTATABLE (316LN)

- \* MATERIAL: STAINLESS STEEL, 316LN
- \* BAKEABLE UP TO 450°C
- \* VACUUM RATING 1x10<sup>-11</sup>mbar
- \* WIDE RANGE OF ELBOWS, CROSSES & TEES ARE AVAILABLE
- \*TUBULATED FLANGES ARE AVAILABLE FOR WELDING TO STAINLESS STEEL TUBE

ORDER CODE	MAT'L	NW	A	B	C	D	E
F16RB18LNS	316LN	16	34	7.3	16.1	18.2	19.3
F35RB38LNS	316LN	35	70	13.0	6.5	35.0	41.4
F38RB42LNS	316LN	38	70	13.0	6.5	42.6	41.4
F63RB70LNS	316LN	63	113.5	19.0	8.4	70.3	72.3
F100RB104LNS	316LN	100	151.6	21.4	8.4	104.3	140.9
F150RB154LNS	316LN	150	202.4	23.8	8.4	154.5	155.7
F200RB205LNS	316LN	200	253.2	24.6	8.4	205.5	206.4
F250RBLNS256	316LN	250	306.0	24.6	8.4	256.0	257.5



For flanges with tapped bolt holes please add suffix T to order codes (eg F16B18LNTS)  
 \* European standard, to be used with copper gasket OD 272.7 mm

### CF FLANGE CAPS

ORDER CODE	NW	OD	PCS/PCK
F16CAP	16	34	10
F35CAP	35	70	10
F63CAP	63	114	10
F100CAP	100	152	10
F150CAP	150	203	10

