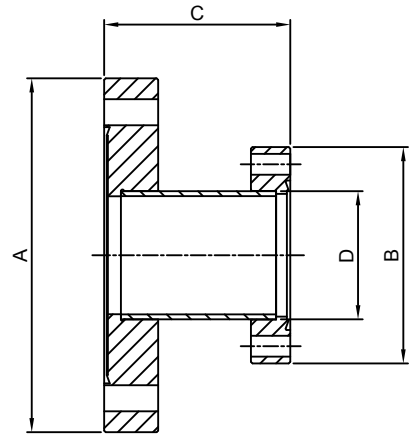


CF TUBULATED REDUCING ADAPTORS, FIXED

- * MATERIAL: STAINLESS STEEL
- * BAKEABLE UP TO 450°C
- * VACUUM RATING 1x10⁻¹¹mbar
- * WIDE RANGE OF ELBOWS, CROSSES & TEES ARE AVAILABLE

ORDER CODE	MAT'L	NW	A	B	C	D	BOLT HOLES
TA3516	304L	35/16	70	34	70	19	IN-LINE
TA3516S	304L	35/16	70	34	70	19	STRADDLED
TA6316	304L	63/16	114	34	70	19	BOTH
TA6335	304L	63/35	114	70	70	38	BOTH
TA6338	304L	63/35	114	70	70	41.5	BOTH
TA1035	304L	100/35	152	70	70	38	BOTH
TA1038	304L	100/38	152	70	70	41.5	BOTH
TA1063	304L	100/63	152	114	70	64	BOTH
TA1535	304L	150/35	203	70	70	38	BOTH
TA1538	304L	150/38	203	70	70	41.5	BOTH
TA1563	304L	150/63	203	114	127	64	BOTH
TA1510	304L	150/100	203	152	127	102	BOTH
TA2063	304L	200/63	254	114	127	64	BOTH
TA2063S	304L	200/63	254	114	127	64	STRADDLED
TA2010	304L	200/100	254	152	127	102	BOTH
TA2015	304L	200/150	254	203	127	152	BOTH



CF TUBULATED REDUCING ADAPTORS, SMALL FLANGE ROTATABLE

- * MATERIAL: STAINLESS STEEL
- * BAKEABLE UP TO 450°C
- * VACUUM RATING 1x10⁻¹¹mbar
- * WIDE RANGE OF ELBOWS, CROSSES & TEES ARE AVAILABLE

ORDER CODE	MAT'L	NW	A	B	C	D
TA3516R	304L	35/16	70	34	70	19
TA6316R	304L	63/16	114	34	70	19
TA6335R	304L	63/35	114	70	70	38
TA6338R	304L	63/35	114	70	70	41.5
TA1035R	304L	100/35	152	70	70	38
TA1038R	304L	100/38	152	70	70	41.5
TA1063R	304L	100/63	152	114	70	64
TA1535R	304L	150/35	203	70	70	38
TA1538R	304L	150/38	203	70	70	41.5
TA1563R	304L	150/63	203	114	127	64
TA1510R	304L	150/100	203	152	127	102
TA2063R	304L	200/63	254	114	127	64
TA2010R	304L	200/100	254	152	127	102
TA2015R	304L	200/150	254	203	127	152

