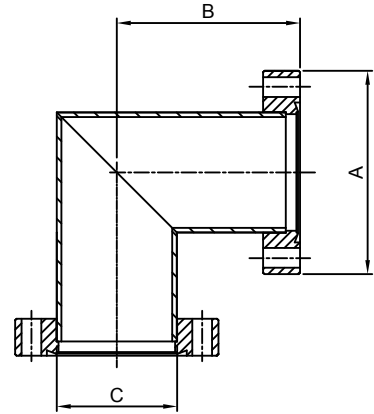


CF ELBOWS, FIXED

- * MATERIAL: STAINLESS STEEL
- * BAKEABLE UP TO 450°C
- * VACUUM RATING 1x10⁻¹¹mbar
- * WIDE RANGE OF CROSSES & TEES ARE AVAILABLE

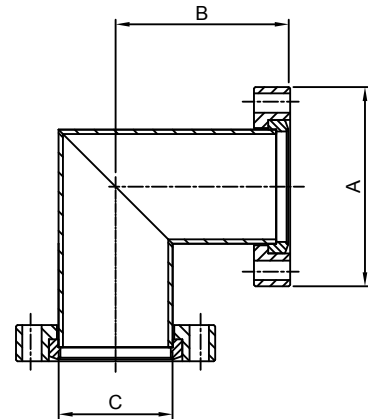
ORDER CODE	MAT'L	NW	A	B	C	BOLT HOLES
EL16	304L	16	34	38	19	IN LINE
EL35	304L	35	70	63	38	IN LINE
EL38	304L	35	70	63	41.3	IN LINE
EL63	304L	63	114	105	64	IN LINE
EL100	304L	100	152	135	102	IN LINE
EL150	304L	150	203	167	152	IN LINE
EL200	304L	200	254	203	203	IN LINE
EL16S	304L	16	34	38	19	STRADDLED
EL35S	304L	35	70	63	38	STRADDLED
EL38S	304L	35	70	63	41.3	STRADDLED
EL63S	304L	63	114	105	64	STRADDLED
EL100S	304L	100	152	135	102	STRADDLED
EL150S	304L	150	203	167	152	STRADDLED
EL200S	304L	200	254	203	203	STRADDLED



CF ELBOWS, BOTH FLANGES ROTATABLE

- * MATERIAL: STAINLESS STEEL
- * BAKEABLE UP TO 450°C
- * VACUUM RATING 1x10⁻¹¹mbar
- * WIDE RANGE OF CROSSES & TEES ARE AVAILABLE

ORDER CODE	MAT'L	NW	A	B	C
EL16R	304L	16	34	38	19
EL35R	304L	35	70	63	38
EL38R	304L	35	70	63	41.3
EL63R	304L	63	114	105	64
EL100R	304L	100	152	135	102
EL150R	304L	150	203	167	152
EL200R	304L	200	254	203	203



CF TEES, FIXED

- * MATERIAL: STAINLESS STEEL
- * BAKEABLE UP TO 450°C
- * VACUUM RATING 1x10⁻¹¹mbar
- * WIDE RANGE OF CROSSES & ELBOWS ARE AVAILABLE

ORDER CODE	MAT'L	NW	A	B	C	D	BOLT HOLES
TE16	304L	16	34	38	76	19	IN LINE
TE35	304L	35	70	63	126	38	IN LINE
TE38	304L	38	70	63	126	41.3	IN LINE
TE63	304L	63	114	105	210	64	IN LINE
TE100	304L	100	152	135	270	102	IN LINE
TE150	304L	150	203	167	334	152	IN LINE
TE200	304L	200	254	203	406	203	IN LINE
TE16S	304L	16	34	38	76	19	STRADDLED
TE35S	304L	35	70	63	126	38	STRADDLED
TE38S	304L	38	70	63	126	41.3	STRADDLED
TE63S	304L	63	114	105	210	64	STRADDLED
TE100S	304L	100	152	135	270	102	STRADDLED
TE150S	304L	150	203	167	334	152	STRADDLED
TE200S	304L	200	254	203	406	203	STRADDLED

