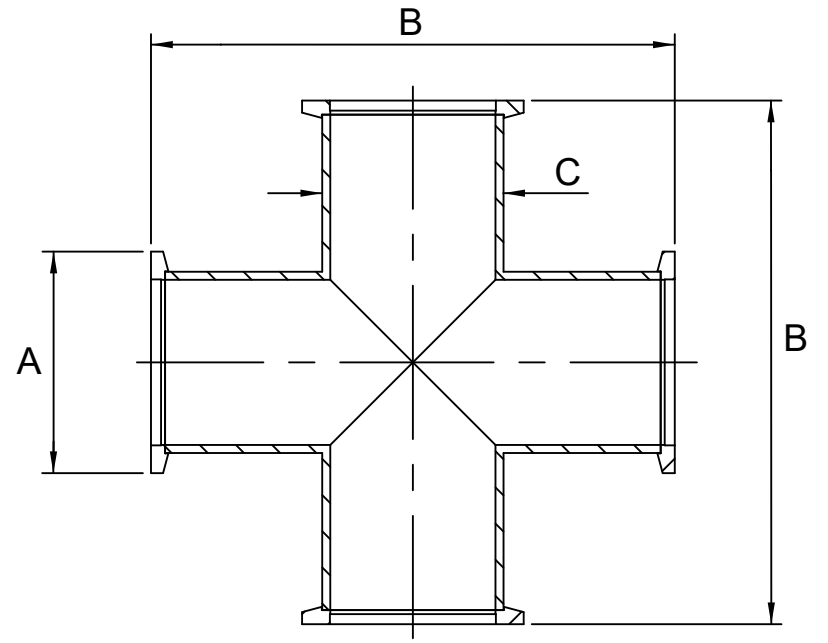


KF 4-WAY CROSSES

- * MATERIAL: 304L STAINLESS STEEL
- * BAKEABLE TO 150° C
- * VACUUM RATING 1x10⁻⁸ mbar
- * WIDE RANGE OF ELBOWS & TEES ARE AVAILABLE
- * TUBULATED FLANGES ARE AVAILABLE FOR WELDING TO STAINLESS STEEL TUBE

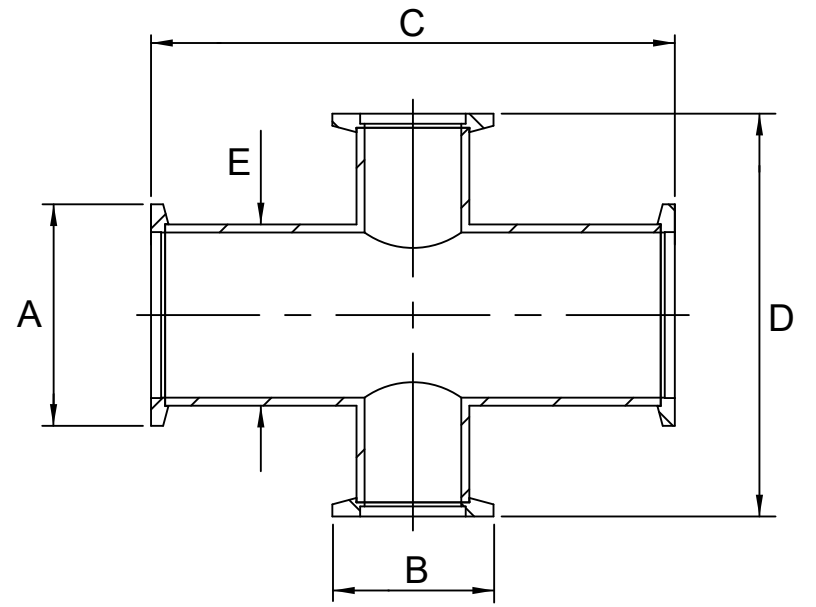
ORDER CODE	NW	A	B	C
X16K	16	30	80	20
X25K	25	40	100	28
X40K	40	55	130	45
X50K	50	75	140	57



KF REDUCING 4-WAY CROSSES

- * MATERIAL: 304L STAINLESS STEEL
- * BAKEABLE TO 150° C
- * VACUUM RATING 1x10⁻⁸ mbar
- * WIDE RANGE OF ELBOWS & TEES ARE AVAILABLE
- * TUBULATED FLANGES ARE AVAILABLE FOR WELDING TO STAINLESS STEEL TUBE

ORDER CODE	NW	A	B	C	D	E
X25K10	25/10	40	30	70	70	28
X25K16	25/16	40	30	100	80	28
X40K16	40/16	55	30	130	80	45
X40K25	40/25	55	40	130	100	45
X50K25	50/25	75	40	140	100	57
X50K40	50/40	75	55	140	130	57



KF 6-WAY CROSSES

- * MATERIAL: 304L STAINLESS STEEL
- * BAKEABLE TO 150° C
- * VACUUM RATING 1x10⁻⁸ mbar
- * WIDE RANGE OF ELBOWS & TEES ARE AVAILABLE
- * TUBULATED FLANGES ARE AVAILABLE FOR WELDING TO STAINLESS STEEL TUBE

ORDER CODE	NW	A	B	C
XX16K	16	30	80	20
XX25K	25	40	100	28
XX40K	40	55	130	45
XX50K	50	75	140	57

